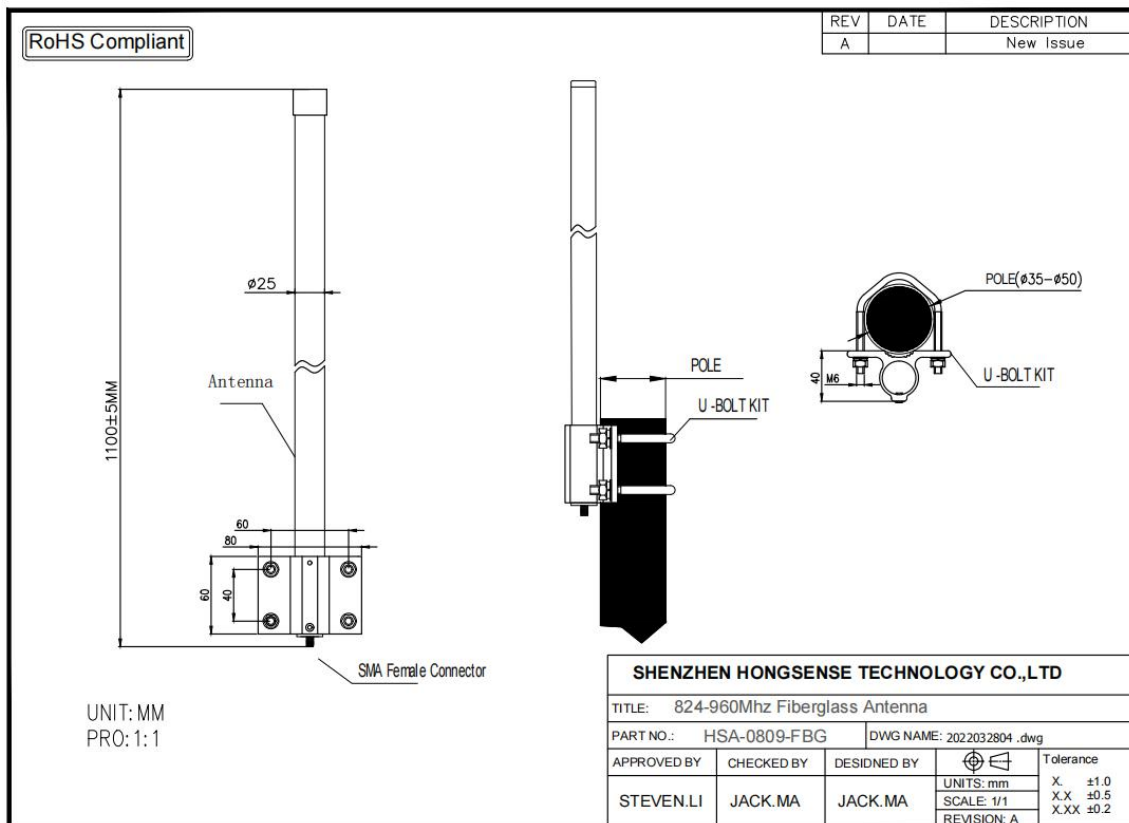
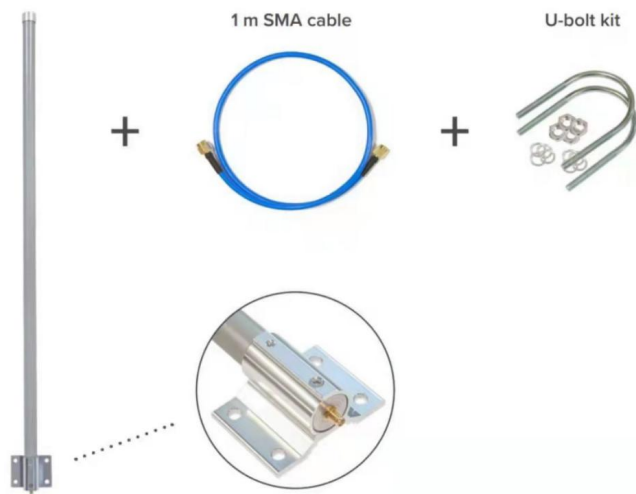


SPECIFICATION

824-960MHz Fiberglass Antenna

Model:HSA-0809-FBG

➤ **PICTURE AND DIMENSIONS**



➤ **SPECIFICATION**

Model NO	HSA-0809-FBG
Electric Specification	
Frequency rang-MHz	824-960MHz
Bandwidth -MHz	136
Gain -dBi	10
beam width -°	H: 360 V: 17
VSWR	≤2.0
Input Impedance-Ω	50
Polarization	Vertical
Max power -W	50
Lightning protection	DC ground
Connector model	SMA Female
Mechanical Specification	
Size -mm	Φ25*1100
Antenna weight-kg	0.65
Working Temperature -°c	-40~60
Rated Wind Velocity-m/s	60
Radome color	gray
Cable accessories	RG142 Blue SMA Male to SMA Male Length 1M
Pole diameter	Φ35-50mm
Mounting way	hold in the pole

➤ **TEST REPORT (V.S.W.R)**

