



LTE5388-M804

4G LTE-A Indoor Router

The Zyxel 4G LTE-A indoor router (LTE5388-M804) is perfect for locations without access to a stable wired network but within mobile internet coverage. Delivers continuous fast and shareable LTE wireless anywhere you need. Equipped with dual-WAN failover, WLAN AP, and LAN gateway, the LTE5388-M804 epitomized all essential functions into one box, and makes it a perfect internet solution for home, small/home-based businesses users. Simplify life by maximizing your network!

Benefits

Maximized network, simplified life

LTE5388-M804 combines WLAN AP, and LAN gateway functions into one box. Thanks to its easy-to-navigate interface and minimalist look, the LTE5388-M804 helps make your life easier!

Wireless freedom

Installing cable internet is not cost/time-effective at all. LTE5388-M804 can liberate you from cable installation with 4G LTE wireless technology for any location with poor wired connection. No matter if you already have a router or not, it is able to operate both in bridge and router mode, making the device easy to deploy and integrate into your existing environment.



Ultra-high Speed

Cat.12 4G LTE-A connections for downlink rates of up to 600 Mbps



Strong 4G LTE/3G Signal

High-gain 4x4 MIMO built-in antenna + 2 external antenna ports



Sharable WiFi

2.4/5GHz dual concurrent WiFi sharing with up to 64 devices



Dual-WAN Failover Function

Connection failover between both WAN interfaces



Easy management

Enjoy easy-to-use management experience through free app



Exceptional network performance

Equipped with Cat.12, the highest-level 4G LTE-A technology, connections for downlink speeds can go up to 600 Mbps through 3-band carrier aggregation and built-in 4x4 MIMO high-performance antennas. Even better, it embeds two external LTE antenna ports, which can boost your signal reception. Enjoy fast mobile internet.



Seamless connectivity

"Dual-WAN failover" function allows you to configure LTE as a backup when the performance of your main wired connection drops or set LTE as your main connection and the LAN port as a recovery WAN to keep a reliable network connection.



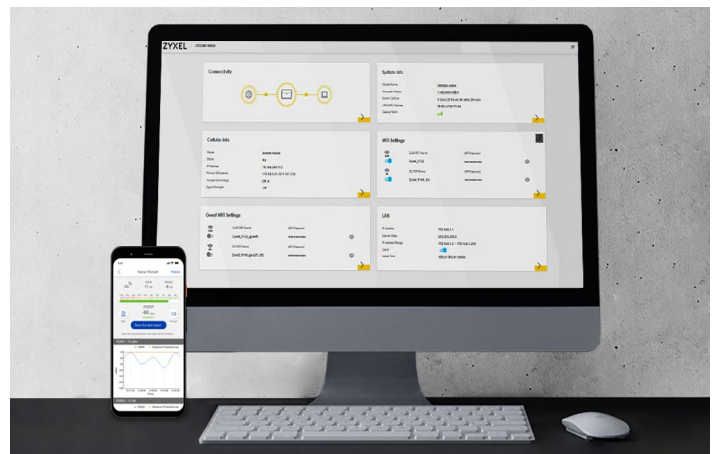
Custom internet environment for you

LTE5388-M804 employs 2.4/5GHz dual concurrent WiFi. Share your WiFi with up to 64 WiFi devices simultaneously. Connect it with a powerful security gateway, switches, NAS servers or other devices to cater your business or family network needs throughout the day.

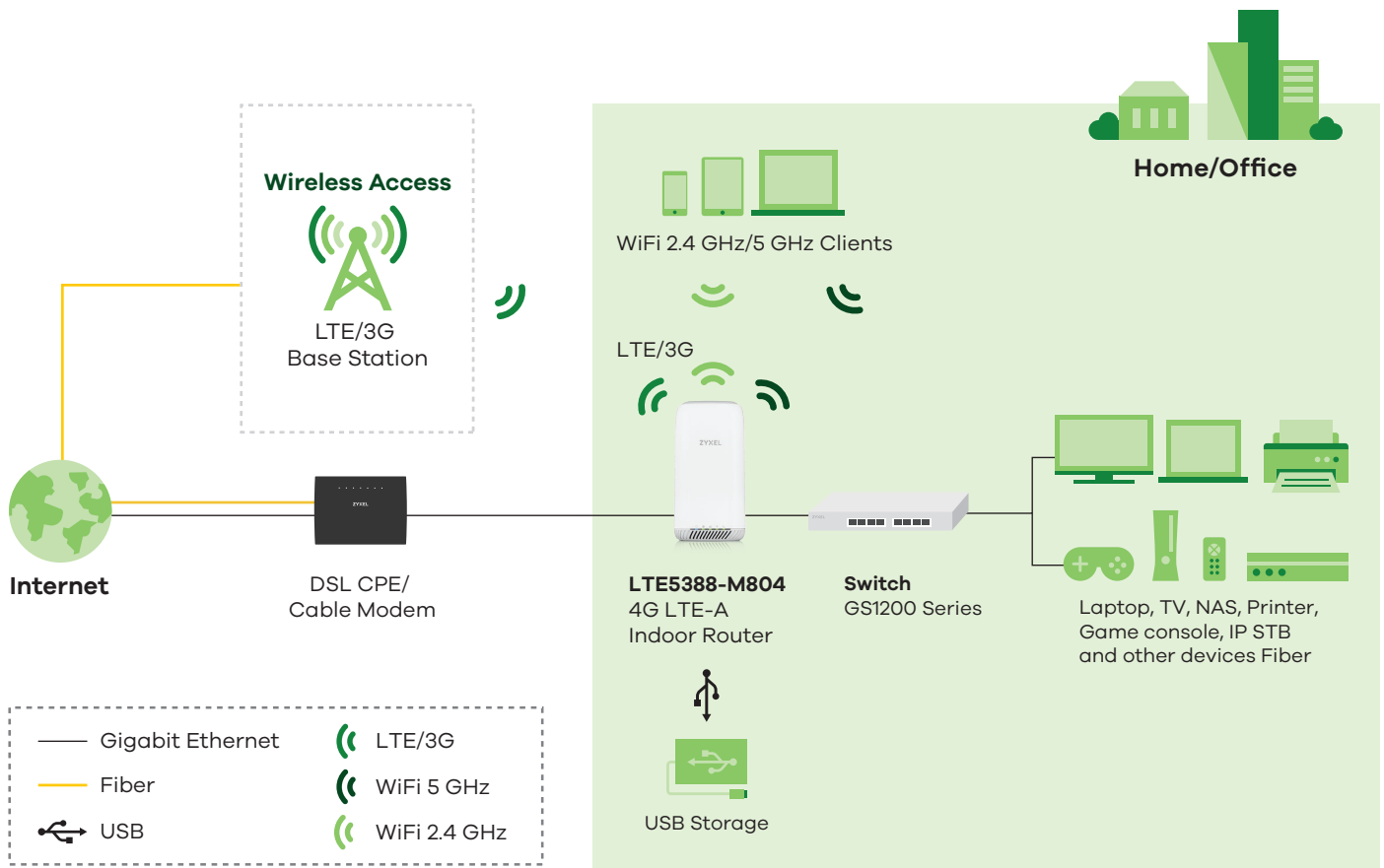


Simple design, easy management

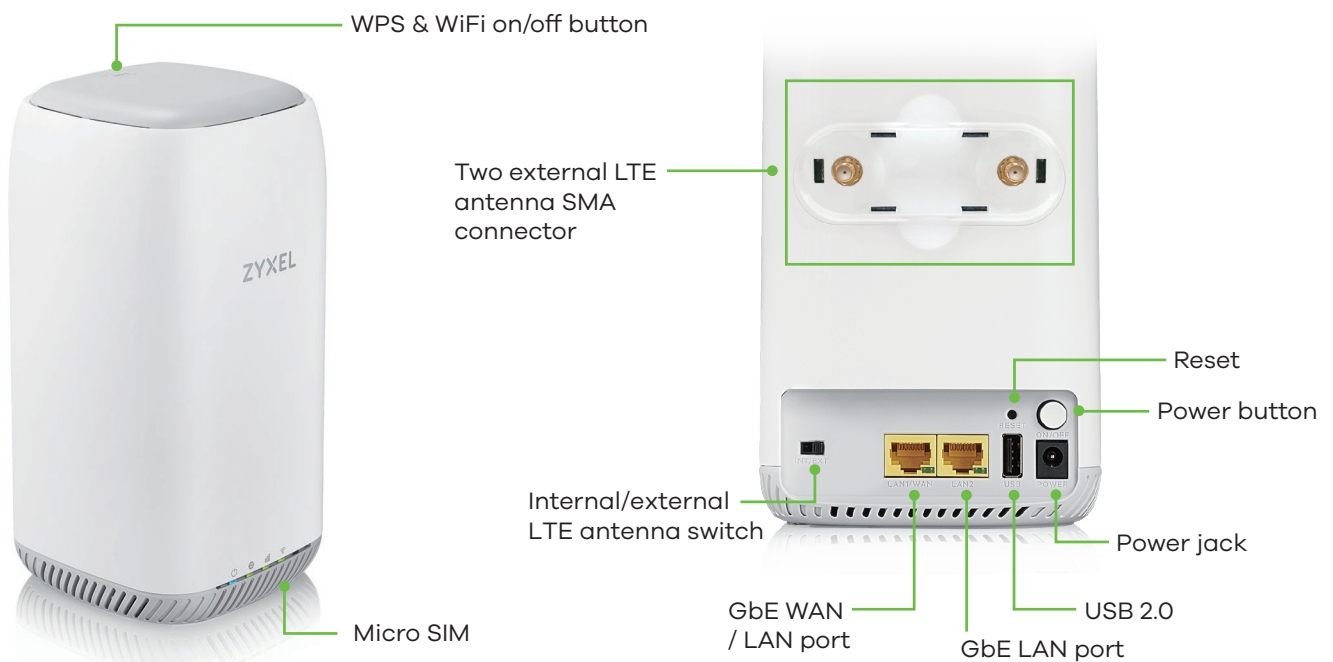
LTE5388-M804 is designed with elegance and space-saving style. Its intuitive user-friendly web interface, plug-and-play capability, free "Zyxel Air" app and website GUI features, all of them offer an enjoyable, easy-to-use management experience through either a mobile device or desktop.



Application Diagram



Interface Description



Specifications

System Specifications

IP Networking

- Cellular and Ethernet WAN failover and fallback
- Support IPv4/IPv6 dual stack
- DHCP client/server
- VPN pass through(PPTP/IPSec and L2TP pass-through)
- Data roaming disable/enable
- IP Firewall
- NAT/NAPT
- Port forwarding/DMZ
- DNS/DDNS
- Supports router mode/bridge mode (IP pass through)
- Primary WAN/secondary WAN management

WLAN Feature

- Auto channel selection
- WiFi Protected Setup (WPS)
- WiFi Multimedia (WMM)
- Security: none, WPA2-Personal, WPA+WPA2
- MAC address filtering with 64 address supported
- Multiple SSIDs/Hidden SSIDs
- WLAN scheduling

Management

- APN management
- SIM PIN/PUK management
- SMS management
- Secure remote management via TR-069/Web GUI
- Network selection
- Operating frequency band selection

Hardware Specifications

LTE Air Interface

- Standard-compliant: 3GPP Release 12 Cat. 12
- Support LTE band :
 - LTE FDD: B1/B3/B5/B7/B8/B20/B28
 - LTE TDD: B38/40/41
 - DL Carrier-aggregation up to 3 (more detail information please contact with local sales)
- Peak data rate:
 - 600 Mbps DL within 40 MHz bandwidth (CA)
 - 100 Mbps UL within 40 MHz bandwidth (Intra-band CA)

UMTS Air Interface

- Standard compliant: WCDMA band B1/3/5/8

- Supported frequency:
 - HSPA+/UMTS 2100/1800/900/850 MHz (band 1/3/5/8)
 - WCDMA : 2100/1800/900/850 MHz
 - HSPA+ downlink data rate up to 42 Mbps.
 - HSUPA uplink data rate up to 5.76 Mbps.

WiFi Air Interface

- Wireless standard (concurrent)
 - IEEE802.11 b/g/n, 2.4 GHz
 - IEEE802.11 a/n/ac, 5 GHz
- Wireless speed:
 - 300 Mbps* for 2.4 GHz
 - 1733 Mbps* for 5 GHz
- WiFi 2.4 GHz antenna: 2x2 internal antennas up to 3 dBi
- WiFi 5 GHz antenna: 2x2 internal antennas up to 5 dBi

Hardware Interface

- Two GbE RJ-45 LAN ports. LAN1 can be configured as Ethernet WAN port
- LEDs
 - from left to right on the panel
 - Power/USB (green/blue)
 - Internet (green)
 - LTE strength (green/red/orange)
 - WiFi/WPS (green)
- One WPS & WiFi on/off button
- One 3FF micro SIM card socket
- One reset to default button
- One power on/off button
- One DC power jack
- One USB 2.0 host port
- Two external LTE/3G antenna SMA connectors

Power Consumption

- 24 W (peak)

Physical Specifications

- Item dimensions (WxDxH): 100 x 100 x 205 mm (3.94" x 3.94" x 8.07")
- Item weight: 599 g (1.32 lb.)
- Packing dimensions (WxDxH): 247 x 170 x 120 mm (9.72" x 6.7" x 4.73")
- Packing weight: 1600 g (3.54 lb.)

Environmental Specifications

Operating Environment

- Temperature: 0°C to 40°C (32°F to 104°F)
- Humidity: 10% to 90% (Non-condensing)

Storage Environment

- Temperature: -30°C to 70°C (-22°F to 158°F)
- Humidity: 5% to 95% (Non-condensing)

Certifications

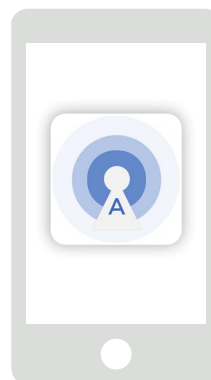
- CE
- WEEE (Waste Electrical and Electronic Equipment) Directive certification
- RoHS (Restriction of Hazardous Substances) Directive certification
- HSF (Hazardous Substance Free)
- European Parliament and Council Directive 94/62/EC of 20 December 1994 on packaging and packaging waste

Package Contents

- Power adapter (12 V/2 A EU/US/UK plug)
- Ethernet cable
- RJ11 cable
- Quick start guide
- Warranty card
- CE DoC
- Safety warning

* The maximum wireless data transfer rate is derived from IEEE Standard 802.11 specifications. Actual data transfer rate will vary from network environment including: distance, network traffic, building site materials construction, interference from other wireless devices, and other adverse conditions.

Zyxel Air App



Q Zyxel Air

Available on the iPhone
App Store

GET IT ON
Google Play

For more product information, visit us on the web at www.zyxel.com

Copyright © 2021 Zyxel and/or its affiliates. All rights reserved.
All specifications are subject to change without notice.

