

# AI Vandal-proof Mini Dome Network Camera



IP67

IK10



DATASHEET

## KEY FEATURES

- ▶ Advanced Functions (Boasting to support various advanced functions such as HLC, Defog, ROI.)
- ▶ Built-in Microphone (Supporting audio function to hear what is happening in front of the camera.)
- ▶ SIP (Session Initiation Protocol. Providing audio/alarm/intercom and video streaming for mobile phones and video phones.)
- ▶ 256G (Supporting ultra-large external microSD/SDHC/SDXC card storage up to 256G.)
- ▶ Smart Stream (Bandwidth, storage and bit rate are saved with Smart Stream On, eg, H.265+ saves 70%~80% bandwidth that of H.264.)

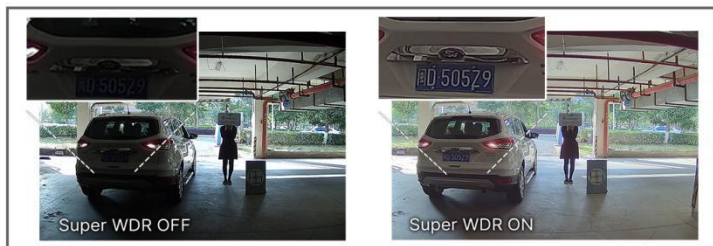
## AI Video Analytics

- 8 intelligent VCA modes powered by AI engine, which can intelligently filter objects to focus on human and vehicle detection.
- People Counting technology provides high accuracy and real-time data based on AI algorithm with statistic reports.
- Face Detection function detects human faces in the monitoring scene and captures the snapshots, which greatly enhances the monitoring efficiency.



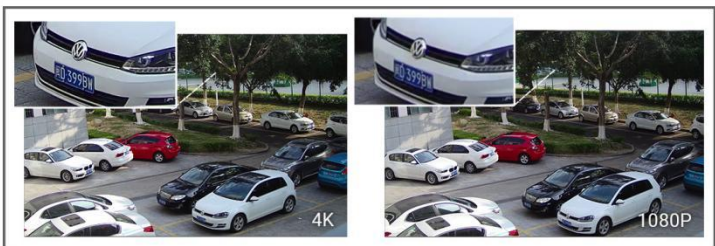
## 140dB Super WDR

Sensor-based WDR technology allows the camera to record greater scene details with true color reproduction even under the extreme back light and high contrast conditions. The ratio that the brightest light signal values divided by the darkest light signal values is up to 140dB.



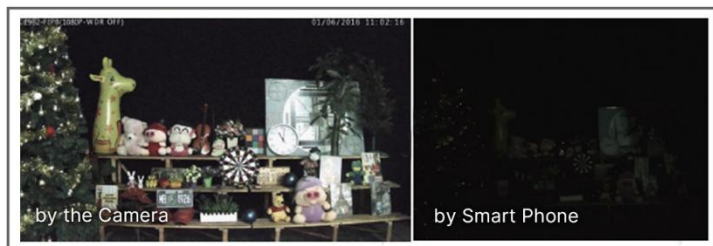
## 30fps@4K

Providing 4K HD resolution with frame rate of 30fps, the camera performs well in catching detailed image regardless of the moving speed.



## 0.005Lux Startlight

Allows the network cameras to provide reliable and high quality images, even in the low light illumination.



# AI Vandal-proof Mini Dome Network Camera



	Model	MS-C2973-RPC (2MP)	MS-C5373-PC (5MP)	MS-C8173-PC (4K)	
<b>Camera</b>	Image Sensor	1/2.8" Progressive Scan CMOS			
	Min. Illumination	Color: 0.005Lux@F1.6 B/W: 0Lux with IR on	Color: 0.008Lux@F1.6 B/W: 0Lux with IR on	Color: 0.012Lux@F1.6 B/W: 0Lux with IR on	
	WDR	140dB Super WDR	120dB Super WDR		
	Lens	2.8mm/4mm/6mm@F1.6			
	Mount	M12			
	Field of View	H111°/D128°/V61°(2.8mm) H91°/D106°/V50°(4mm) H55°/D63°/V32°(6mm)	H105°/D131°/V78°(2.8mm) H86°/D108°/V63°(4mm) H52°/D63°/V40°(6mm)	H110°/D126°/V60°(2.8mm) H91°/D106°/V50°(4mm) H55°/D63°/V32°(6mm)	
	Shutter Time	1/100000s~1s			
	IR Distance	Up to 30m			
	Day/Night Mode	Day/Night/Auto/Customize/Schedule			
	S/N	>55dB			
<b>Video</b>	Max. Image Resolution	1920x1080	2592x1944	3840x2160	
	Primary Stream	60Hz: 60fps@(1920x1080, 1280x960, 1280x720, 704x576) 50Hz: 50fps@(1920x1080, 1280x960, 1280x720, 704x576)	60Hz: 30fps@(2592x1944), 45fps@(2048x1536),60fps@(1920x1080, 1280x960, 1280x720, 704x576) 50Hz: 25fps@(2592x1944), 45fps@(2048x1536),50fps@(1920x1080, 1280x960, 1280x720, 704x576)	60Hz: 30fps@(3840x2160, 3072x2048, 2592x1944, 2592x1520, 2048x1536, 1920x1080, 1280x960, 1280x720, 704x576) 50Hz: 25fps@(3840x2160, 3072x2048, 2592x1944, 2592x1520, 2048x1536, 1920x1080, 1280x960, 1280x720, 704x576)	
	Secondary Stream	60Hz: 60fps@(704x576, 640x480, 640x360, 352x288, 320x240, 320x192, 320x180) 50Hz: 50fps@(704x576, 640x480, 640x360, 352x288, 320x240, 320x192, 320x180)	60Hz: 30fps@(704x576, 640x480, 640x360, 352x288, 320x240, 320x192, 320x180) 50Hz: 25fps@(704x576, 640x480, 640x360, 352x288, 320x240, 320x192, 320x180)		
	Tertiary Stream	60Hz: 30fps@(1920x1080, 1280x720, 704x576, 640x480, 640x360, 320x240, 320x192, 320x180) 50Hz: 25fps@(1920x1080, 1280x720, 704x576, 640x480, 640x360, 320x240, 320x192, 320x180)			
	Video Compression	H.265*/H.265(HEVC)/H.264*/H.264/MJPEG			
	Video Bit Rate	16Kbps~16Mbps(CBR/VBR Adjustable)			
	Privacy Masking	Up to 28 areas(24 mask areas and 4 mosaic areas)			
	ROI	Up to 8 areas			
	Image Setting	Brightness/Contrast/Saturation/Sharpness			
<b>Interface</b>	Ethernet	1*RJ45 10M/100M Ethernet Port			
	Audio I/O	Built-in Microphone; 1/1 (Multi-interface Version)			
	Alarm I/O	1/1 (Multi-interface Version)			
<b>Network</b>	Network Storage	NAS(Support NFS, SMB/CIFS), ANR			
	Protocol	IPv4/IPv6, ARP, TCP, UDP, RTCP, RTP, RTSP, RTMP, HTTP, HTTPS, DNS, DDNS, DHCP, FTP, NTP, SMTP, SNMP, UPnP, Bonjour, SIP, PPPoE, VLAN, 802.1x, QoS, IGMP, ICMP, SSL			

# AI Vandal-proof Mini Dome Network Camera



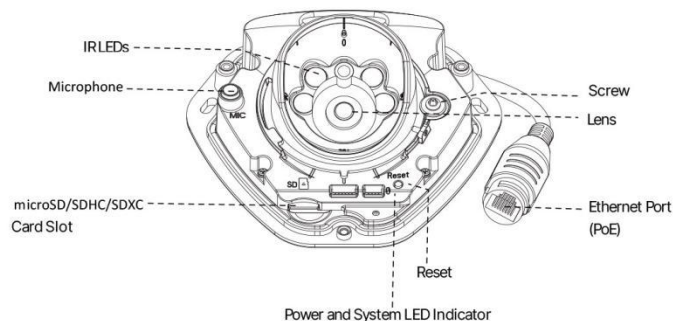
<b>Audio</b>	Audio Compression	G.711/AAC/G.722/G.726	
	Audio Sampling Rate	8/16/32/44.1/48KHz	
	Audio Bit Rate	16~256kbps	
	Two-way Audio	Support	
<b>Intelligent Analytics</b>	Video Analysis	Region Entrance, Region Exiting, Advanced Motion Detection, Tamper Detection, Line Crossing, Loitering, Object Left, Object Removed	
	Face Detection	Detect and capture faces, get real-time snapshots	
	People Counting& Report	Count the number of people entering or exiting, up to 4 detection areas for regional people counting	
<b>System</b>	Storage	Support microSD/SDHC/SDXC Card Local Storage, up to 256G	
	Advanced Function	Heat Map, BLC, HLC, 2D DNR, 3D DNR, Defog, AWB, EIS, IP Address Filtering, AGC, Anti-flicker, Corridor Mode, Deblur, Watermark	
	SIP/VoIP Support	Yes, Voice & Video-over-IP	
	Event Trigger	Motion Detection, Network Disconnection, Audio Alarm, etc.;; Motion Detection, Network Disconnection, External Input, Audio Alarm, etc. (Multi-interface Version)	
	Event Action	FTP Upload, SMTP Upload, SD Card Record, SIP Phone, HTTP Notification, etc.;; FTP Upload, SMTP Upload, SD Card Record, External Output, SIP Phone, HTTP Notification, etc. (Multi-interface Version)	
	System Compatibility	ONVIF Profile G & Q & S & T, API	
<b>General</b>	Working Temperature	-40°C~60°C	
	Working Humidity	0~90%(Non-condensing)	
	Power Supply	PoE (802.3af); PoE (802.3af) / DC 12V ± 10% (Multi-interface Version)	
	Power Consumption	5W MAX 6W MAX (With IR on)	6W MAX 7W MAX (With IR on)
	Housing	Up to IP67-rated for Weather-resistant Performance; Vandal-proof IK10-rated Metal Housing	
	EN50155	Support	
	Weight	500g	
	Dimensions	118.5mmX110.8mmX65mm	
	Warranty	3/5 Years	



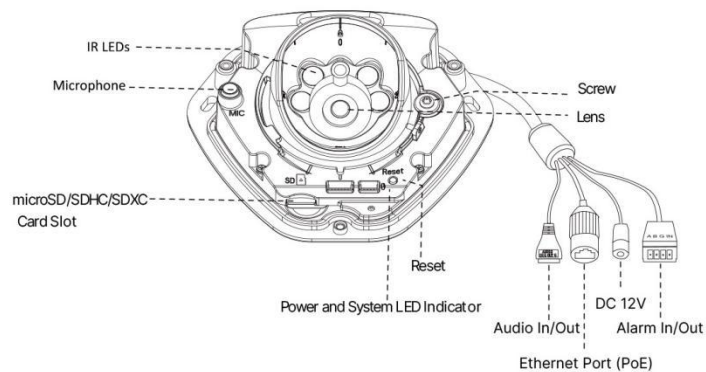
# AI Vandal-proof Mini Dome Network Camera



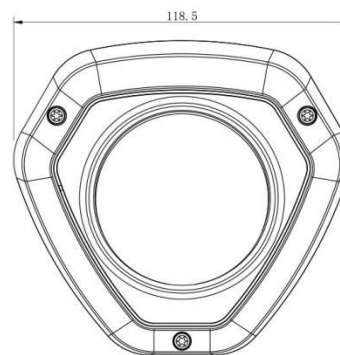
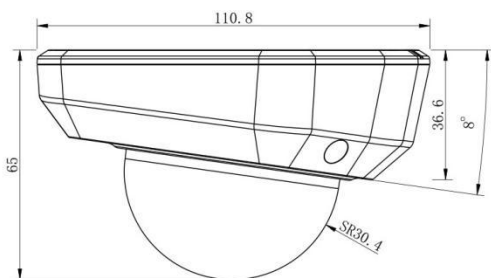
## Structure Diagrams



(Default Version)



(Multi-interface Version)



Units: mm

## Accessories Support

A01 Pole Mount

Weight: 720g  
Dimensions: 170\*51.5\*152.6mm



A03 External Corner Bracket

Weight: 900g  
Dimensions: 170\*152.5\*76.3mm



A71 Wall Mount

Weight: 530g  
Dimensions: 162\*124\*78 mm



A73 Adapter Plate

Weight: 28g  
Dimension: 115\*122.5\*10mm



A74 Junction Box

Weight: 60g  
Dimensions: 121.5\*116.5\*37.2



**Milesight** | [www.milesight.com](http://www.milesight.com)

Contact Us: [sales@milesight.com](mailto:sales@milesight.com) [support@milesight.com](mailto:support@milesight.com)

Add: 220 NE 51st Street, Oakland Park, Florida 33334, USA  
Tel: +1-800-561-0485

Add: 925, Anyang SK V1 Center, LS-ro 116beon-gil, Dongan-gu, Anvang-si, Korea  
Tel: +82-31-990-7732

Add: Building C09, Software Park Phase III, Xiamen 361024, Fujian, China  
Tel: +86-592-5922772

