

# StarterHorn™ 30° USMA

## SYMMETRICAL HORN ANTENNA

StarterHorn™ Antennas have a symmetrical beam pattern with no side lobes. StarterHorn™ antennas offer great noise rejection for high-density AP clusters and dense co-location. StarterHorn™ antennas provide excellent performance in cost effective package.

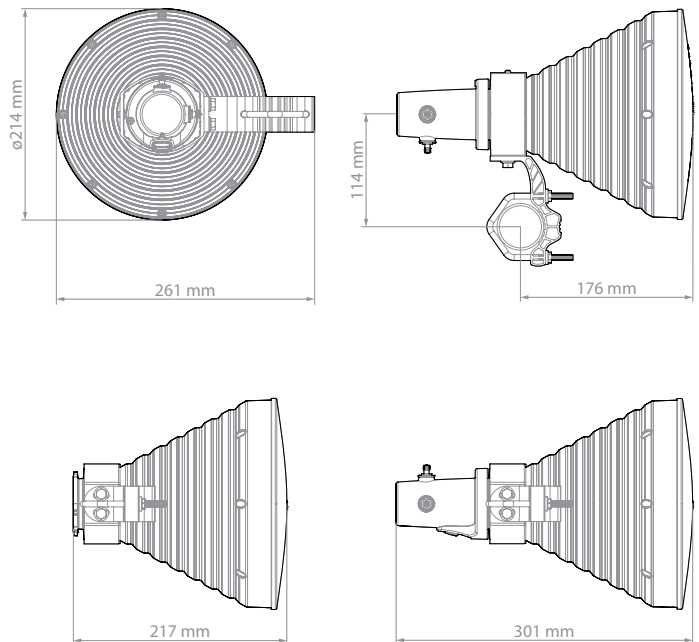
StarterHorn™ antennas offer RP-SMA female connector interface for H and V antenna polarizations for connectivity to any third party radio on the market. They also allow for use of UBNT radios with waveguide connector.



### TECHNICAL DATA

Antenna Connection	RP-SMA Port, Waveguide Port
Antenna Type	Symmetrical Horn
Materials	UV Resistant ABS Plastic, Polyethylene, Aluminium, Stainless Steel
Enviromental	IP55
Flame Rating	UL 94 HB
Pole Mounting Diameter	20-55 mm (recommend as close to 55 mm as possible)
Temperature	-30°C to +55°C (-22°F to +131°F)
Wind Survival	160 km/hour
Wind Loading	23 N at 160km/hour
Mechanical Tilt	± 30°
Weight	1.3 kg / 2.8 lbs – single unit 1.9 kg / 4.1 lbs – single unit incl. package 20.9 kg / 46 lbs – carton (10 units)
Single Unit	Retail Box: 269 x 240 x 240 mm / 10.5 x 9.4 x 9.4 inch
10 Units	Carton Box: 1210 x 490 x 277 mm / 47.6 x 19.2 x 10.9 inch

### PRODUCT DIMENSIONS



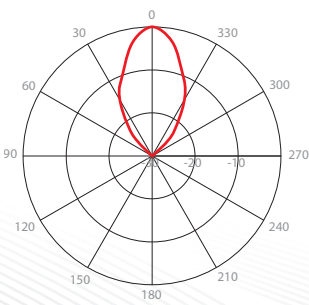
### PERFORMANCE

Frequency Range	5150 - 5950 MHz
Gain	18 dBi
Azimuth Beam Width -3 dB	H 20° / V 20°
Elevation Beam Width -3 dB	H 20° / V 20°
Azimuth Beam Width -6 dB	H 30° / V 30°
Elevation Beam Width -6 dB	H 30° / V 30°
Beam Efficiency*	92 %
Front-to-Back Ratio	33 dB

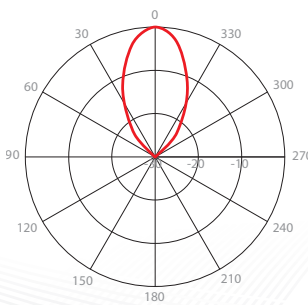
### COMPATIBLE WIRELESS PLATFORMS

Ubiquiti Networks®	PrismStation™ 5AC, IsoStation™ 5AC, IsoStation™ M5
Other	Any radio with coaxial output

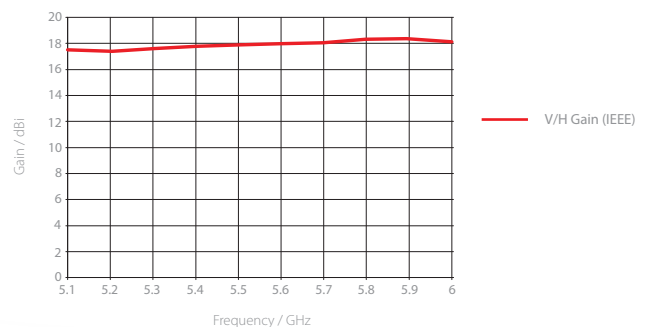
### AZIMUTH PATTERN



### ELEVATION PATTERN



### GAIN



\*Main beam defined up to first null